

Micro II

Satellite/Subwoofer System

Owner's Manual

Part # 930-5866



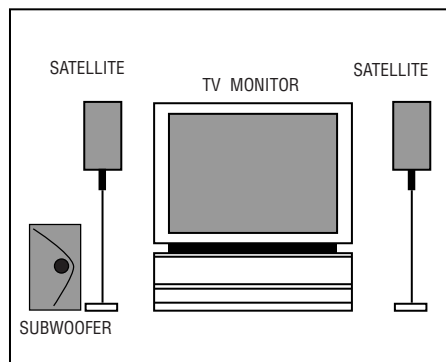
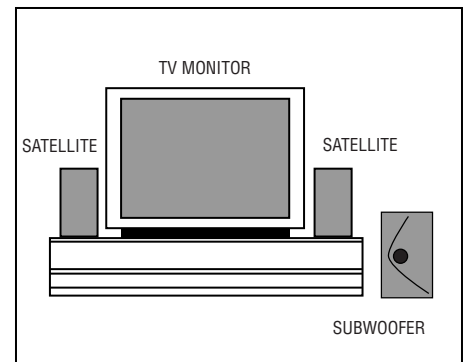
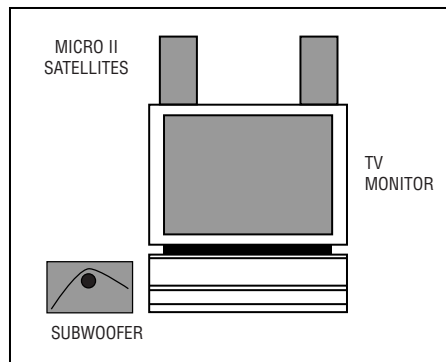
UNPACKING

Inspect your speakers carefully after unpacking. If they have been damaged in transit, call your dealer or the trucking firm that delivered them for instructions on how to file a claim.

POSITIONING OF SATELLITE SPEAKERS

Proper positioning of the speakers within the listening room is of primary importance in order to achieve the best possible sound. Room reflections, furniture placement, heavy draperies, window reflections and so on can influence sonic quality, balance and the stereo image. It is essential to experiment with different locations to determine which placement offers the best overall balance and imaging. For the best stereo effect, the speakers should be placed at least 7 – 10 feet apart (2 to 3 meters). Angling the speakers slightly inward (toward the listening position) sometimes will add to the effect of overall spaciousness and deliver a more realistic sound stage.

The Infinity Micro II is extremely versatile and can be installed in a number of different ways. For example, you may install the satellites on top of, or on the side of, your TV monitor, on a wall (in a corner or on a flat wall), on the floor tilted upward toward your listening position, or on optional Infinity stands (see your Infinity Dealer). A single Micro II may be used as a center channel, or you may use a pair for your rear channels. Furthermore, since the Micro II has been designed specifically to deliver superb audio sound, it also functions as an exceptional audio system for listening to CDs, LPs, cassettes and AM and FM.

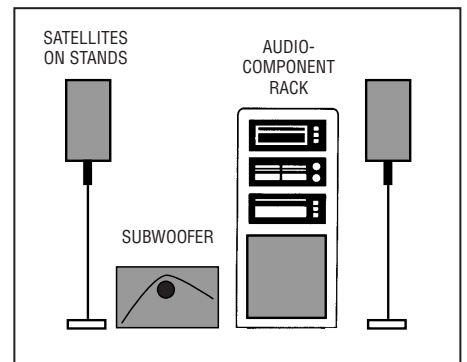
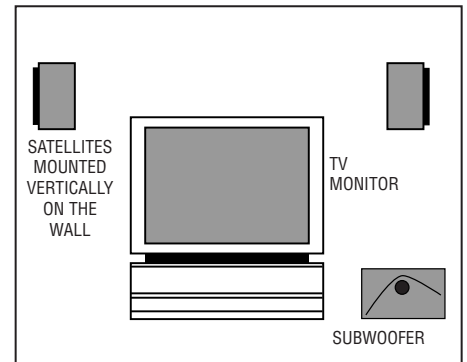
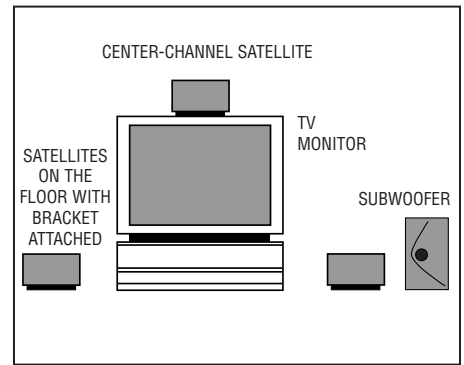


NOTE: Subwoofer may be installed vertically or horizontally.

MOUNTING

To mount the Micro II either vertically or horizontally on a wall or corner, proceed as follows:

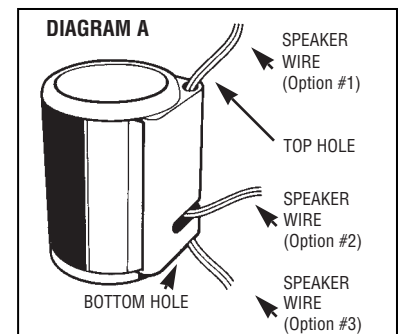
1. Remove the top and bottom plates of the satellites by turning them counterclockwise.
2. Slide the satellites away from their mounting brackets.
3. Connect the speaker wire to the black and red terminals located on the rear of the satellites (read the section on CONNECTING THE SYSTEM (page 5) before making these connections if you are not familiar with how to hook up polarities). Before connecting the speaker-hookup wire, first slide it through the hole on the rear, top or bottom of the mounting bracket. If you fail to slide the wire through the holes located on the mounting bracket, connection to the speaker will be very difficult later. See Diagram A below.
4. Mount the bracket on the wall or corner of your listening room. BE SURE THAT THE SCREWS HOLDING THE MOUNTING BRACKET TO THE WALL ARE SCREWED INTO A WALL STUD. IF THIS IS NOT POSSIBLE, USE A HEAVY DUTY MOLY FOR EACH SCREW. MAKE SURE THE MOLY CANNOT TEAR OUT OF THE WALL
5. Replace the satellites into the mounting brackets and refasten the top and bottom end plates.



6. Carefully adjust the Infinity logo. See Diagram B (page 4).

IMPORTANT!

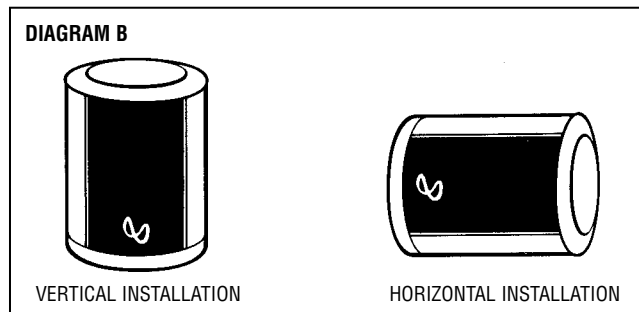
When wall or corner mounting the satellites, be sure the left and right speakers are placed at exactly the same height.



MOUNTING, CONT'D

If you wish to mount the satellites to a wall and the mounting position is higher than ear level, it is recommended to install the satellites horizontally. Rotate them downward toward the listening position. This will ensure better dispersion of the higher frequencies, which will produce greater imaging. It is also recommended to keep the tweeters of the left and right satellites on the outside. Refer to Diagram C.

If installed vertically, the satellites may be swiveled inward toward the center to obtain a more precise stereo image. If this is the case, merely loosen the top and bottom plates but do not remove them. Rotate the satellites to the desired position, and retighten the top and bottom plates.



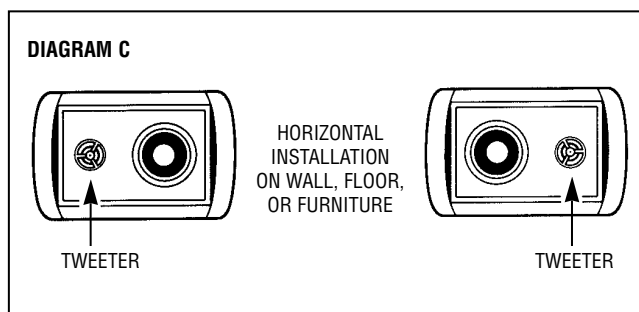
The mounting brackets may be removed completely when installing the satellites either on top of, or alongside, your TV monitor. Remove the top and bottom plates that hold each bracket in place. Slide the satellites out from their brackets and replace the end plates. Store the brackets for future use.

When installing the satellites horizontally on the floor, leave the brackets in place. Loosen the top and bottom plates and swivel the satellite until it faces upward toward the listening position. Tighten the end plates. Follow a similar procedure if a satellite is to be installed horizontally on top of the TV monitor. Loosen the top and bottom plates and tilt the satellite downward toward the listening position. Retighten the end plates.

When installing the satellites on speaker stands, remove the brackets and place the speakers on the stands. It is a good idea to use double-sided tape to hold the speakers in place on the stands.

IMPORTANT!

The Infinity logo located on the front of the satellites should be turned when the speakers are installed horizontally. Refer to Diagram B.



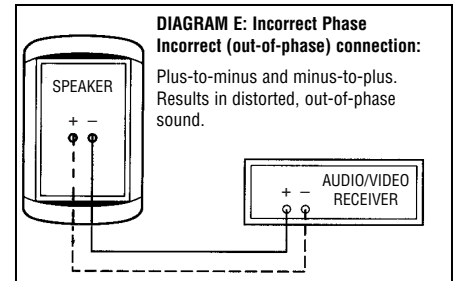
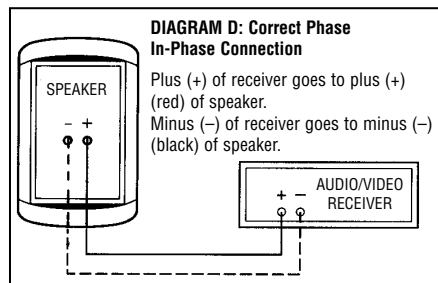
CONNECTING THE SYSTEM

IMPORTANT!

Make sure all equipment is **TURNE**D OFF before making connections.

CONNECTING THE SATELLITES ONLY (WITHOUT SUBWOOFER)

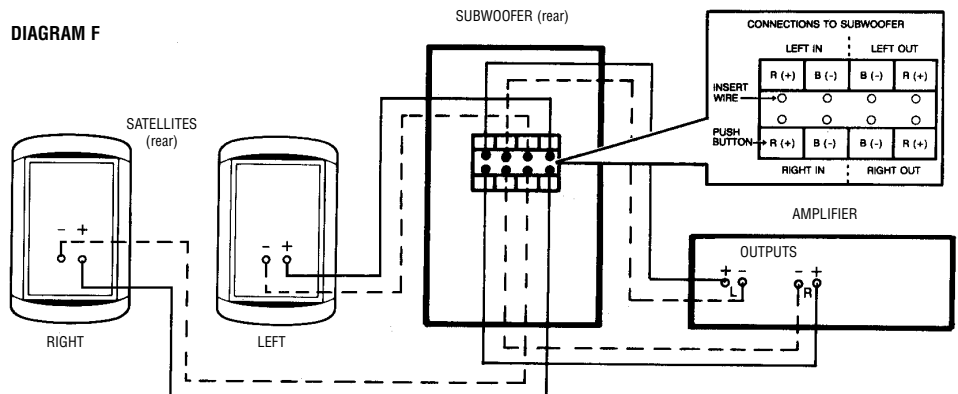
Connect your power amplifier to the satellite speakers by using heavy-gauge (#16) wire with polarity coding. The side of the wire with a ridge or other coding should be considered plus (+). The speakers must be connected in phase (both woofers always moving in the same direction at the same time) and every precaution must be taken to ensure proper in-phase hookup (see Diagrams D and E). If the speakers are out of phase (one speaker moving outward while the other is moving inward), the result will be cancellation of bass frequencies and a possible floating effect that prevents instruments and vocalists from establishing proper perspective.



CONNECTING THE SUBWOOFER AND SATELLITES

The Micro II subwoofer is a passive system (does not have a power amplifier built into the enclosure) and can be used with separate components or any quality stereo-integrated amplifier or receiver. Observe the following procedures for installing the subwoofer.

1. Connect the Left and Right **OUTPUTS** of your amplifier to the corresponding Left and Right **INPUT** terminals on the subwoofer.
2. Connect the satellites to the Left and Right **OUTPUT** terminals on the subwoofer.
3. Observe polarity.
4. Refer to Diagram F for hookup instructions.



NOTE: You may also connect your amplifier outputs (Left & Right) directly to the satellites, then connect the satellites to the subwoofer's Left & Right inputs. Observe polarity.

POSITIONING OF THE SUBWOOFER

The performance of the Micro II subwoofer is directly related to its position in the listening room. Moving the subwoofer even as little as an inch or two can sometimes make a significant difference in the way it sounds. If bass response is judged to be light, move the subwoofer closer to a corner. The corner enhances the subwoofer's ability to couple to the room, thus creating more bass. If bass response is judged too heavy, move the subwoofer away from the wall or corner. The subwoofer does not have to be positioned between the two satellites for best overall sonic balance. It may be placed wherever it sounds best. Low frequencies are nondirectional, which means you can place the subwoofer either in the middle or to the left or right of the satellites and obtain optimum bass balance. Experimenting with positioning the subwoofer in several different locations will reveal which position yields the optimum results.

IMPORTANT!

The subwoofer may be mounted vertically or horizontally, but do not mount it so the port faces the floor. The port must remain unobstructed for proper performance.

A WORD OF ADVICE

It is not advisable to operate the subwoofer (and satellites) with the tone controls of your stereo system set to maximum boost. In fact, it is always good practice to keep the tone controls set to reasonable boost levels because excessive bass and treble can damage your satellites as well as the subwoofer.

The volume-control setting on your stereo preamplifier, receiver or integrated amplifier is not an indication of the overall volume level of your system. The one important consideration is the loudness level at which the system can be played, regardless of where the volume control is set.

Always turn down the volume when changing a record or switching inputs from AM to FM, phono or CD operation. Excessively loud transients (loud pops and clicks) can damage your speakers. Whenever changing plugs, cables, etc., always turn off your system. This will prevent transients from reaching your speakers and electrical energy from reaching you. Keep electrical connections out of the reach of children.

ACOUSTIC FEEDBACK

Acoustic feedback is created when sound waves from speakers reach a phono turntable and are fed back through the phono pickup to the power amplifier. It is a neverending cycle that can cause distortion across the entire audio band. To avoid acoustic-feedback problems, place your turntable on a heavy, solid support as far away from the speakers as possible. Isolating the turntable with special rubber mounts sometimes reduces this form of distortion.

PERFORMANCE DATA

UNDERSTANDING MIN/MAX POWER RATINGS

An amplifier with limited power output can actually cause damage to your speakers. A lower-powered amplifier, when played beyond its power capability, will clip. This generates spurious high-frequency signals which, when routed to the tweeter, can cause it to overheat and fail. It is for this reason that choosing an amplifier with higher power is always a wise choice.

SPECIFICATIONS – MICRO II

SATELLITE

Power Rating:	10 to 75 watts per channel, RMS
Frequency Response:	150Hz – 25kHz
Sensitivity:	90dB @ 2.8 volts, 1 meter
Input Impedance:	6 – 8 ohms

SUBWOOFER

Power Rating:	10 to 100 watts per channel, RMS
Frequency Response:	45Hz – 150Hz
Sensitivity:	90dB @ 2.8 volts, 1 meter
Input Impedance:	6 – 8 ohms

IN CASE OF TROUBLE WITH YOUR STEREO SYSTEM

Before consulting your dealer, Infinity service facility, or factory service department, there are tests you can perform to locate and solve possible problems in your speakers. You can use your stereo's two channels of information for simple troubleshooting. If the sound quality is distorted, listen to each speaker separately to check if the fault is present in both. If it is, the trouble is likely to be elsewhere in your system. If the fault is in one channel only, reverse the outputs of your amplifier to the speakers. If the distortion moves to the other channel, the fault is not in the speaker. If distortion remains in the speaker, contact your dealer for assistance.

IMPORTANT!

DO NOT SHIP ANY PARTS OR WHOLE SPEAKERS FOR SERVICE WITHOUT PRIOR APPROVAL ("RETURN AUTHORIZATION"), AND DO NOT SHIP WITHOUT ENCLOSING A COPY OF YOUR ORIGINAL BILL OF SALE.

If there is no authorized service facility near you, write, phone or fax the Service Department at:

INFINITY Customer Service
250 Crossways Park Drive
Woodbury, NY 11797
(800) 645-7484

Describe the difficulty as specifically as possible. The service department will advise you of what action you should take.

LIMITED WARRANTY

WHO IS PROTECTED BY THE WARRANTY?

Your Infinity warranty protects the original retail purchaser and all subsequent owners for a period of five (5) years (parts and labor) from any failure as a result of an original manufacturing defect so long as: (1) your Infinity loudspeaker was purchased in the United States or by military personnel from an authorized military outlet, and (2) the original dated bill of sale is presented whenever service is required during the warranty period. This warranty does not apply to products purchased elsewhere; other purchasers should contact their local Infinity distributor for warranty information.

WHAT DOES THE INFINITY WARRANTY COVER?

Except as specified below, this warranty covers all defects in original materials and workmanship. The following are not covered: damage caused by accident, misuse, abuse, neglect, product modification; damage occurring during shipment; damage caused by failure to follow instructions in the owner's manual, including failure to perform recommended periodic or routine maintenance; damage resulting from repairs by someone not authorized by Infinity; claims based upon any misrepresentations by the seller; and any Infinity product on which the serial number has been altered, defaced or removed.

WHO PAYS FOR WHAT?

During the period of warranty, subject to the above conditions, Infinity will pay all of the labor and material expenses to repair a warrantable defect.

HOW CAN WARRANTY SERVICE BE OBTAINED?

In the event that your Infinity loudspeaker requires service, you should first contact the Infinity dealer from whom the product was purchased or, if this is not practical, contact Infinity directly at 250 Crossways Park Drive, Woodbury, NY 11797; (800) 645-7484. We may direct you to an authorized service center for Infinity products or ask you to send them to us for repair. In either case, you will have to present your original dated bill of sale to establish warranty coverage. Do not send your speaker to us without prior authorization from our Customer Service Department.

LIMITED WARRANTY, CONT'D

You are responsible for transporting your product to either Infinity or an authorized service center and for payment of all shipping charges; however, Infinity will pay the return shipping charges (in the event you return the product to us) if the repairs are covered by warranty. If you experience difficulty in transporting your product or are in need of packing materials, please advise us and we may be able to suggest alternative procedures and/or provide adequate packing materials.

LIMITATION OF IMPLIED WARRANTIES: All implied warranties, including fitness for a particular purpose and merchantability, are limited in duration and length to the warranty period for your product.

LIMITATION OF INCIDENTAL OR CONSEQUENTIAL DAMAGES: Infinity is not responsible for any incidental or consequential damage of any kind. Our liability is limited to the repair or replacement, at our option, of a defective product.

Some states do not allow limitations on how an implied warranty lasts and/or do not allow the exclusion of incidental or consequential damage, so the above limitations or exclusions may not apply to you.

This warranty gives you specific legal rights; you may also have other rights, which vary from state to state.

IMPORTANT!

In the event that there is a difference between this warranty and the provisions in any advertisements, product brochures or packaging cartons, the terms of this warranty will prevail.



Infinity Systems Inc.

250 Crossways Park Drive

Woodbury, NY 11797 USA

(516) 496-3400 • FAX (516) 682-3526

H A Harman International Company

P/N: 930-5866